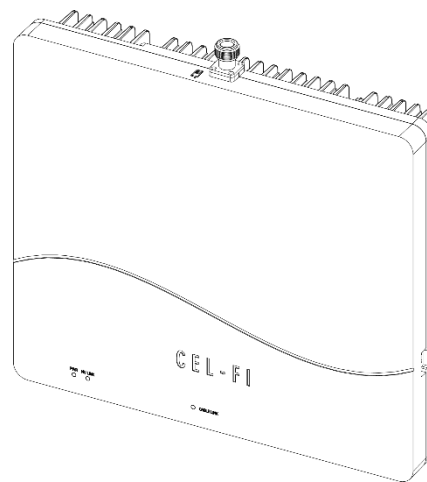
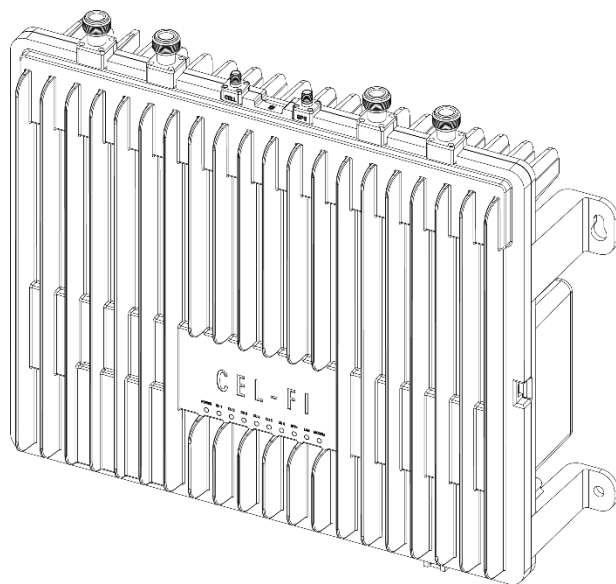


Cel-Fi DISTI TOOL

Disti Tool Guide (Instructions for the QUATRA 4000)



Cel-Fi Disti Tool

The Disti Tool is a replacement for the original Disti Tool program, and is used for NU or CU software, SKU, and system configuration management at the product Distributor level.

NOTE – NUs AND CUs ARE INDIVIDUALLY UPDATED.

To prepare the Disti Tool, do the following:

STEP 1

Download and install the Disti Tool on a **Windows 10** PC

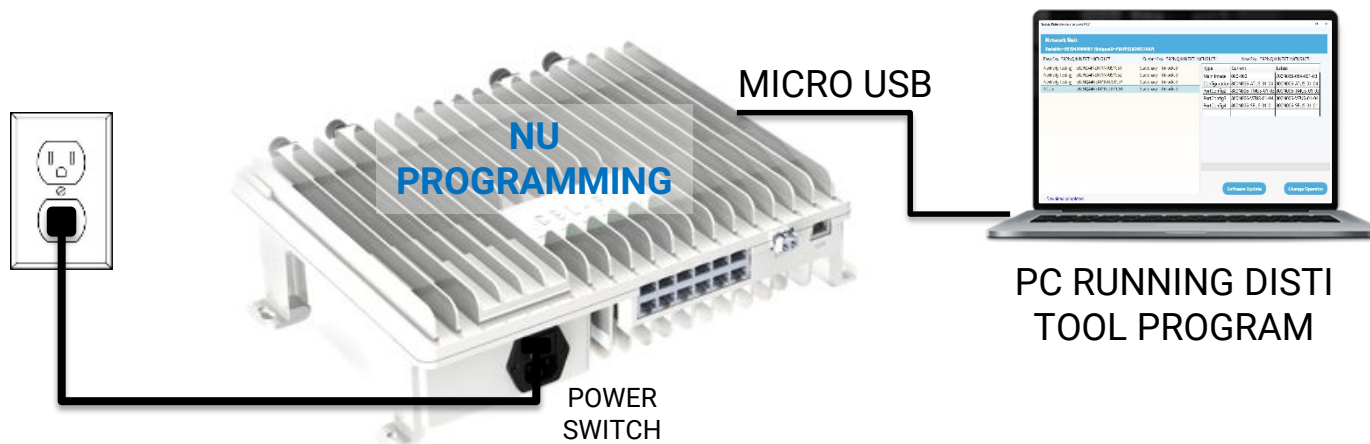
STEP 2

Connect the PC to the internet, and launch the Disti Tool program (new Desktop icon).



STEP 3a – Connections if programming a QUATRA 4000 Network Unit (NU)

Connect a micro USB cable between the Disti Tool PC and the NU, and THEN connect the NU to power.



Cel-Fi Disti Tool

The Disti Tool is a replacement for the original Disti Tool program, and is used for NU or CU software, SKU, and system configuration management at the product Distributor level.

NOTE – NUs AND CUs ARE INDIVIDUALLY UPDATED.

To prepare the Disti Tool, do the following:

STEP 1

Download and install the Disti Tool on a **Windows 10** PC

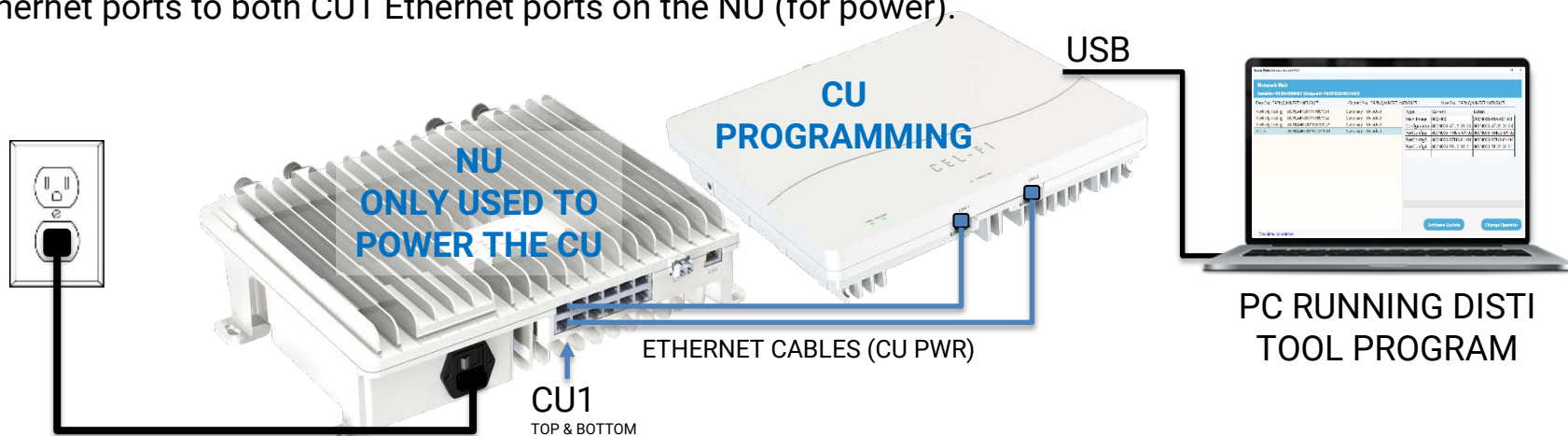
STEP 2

Connect the PC to the internet, and launch the Disti Tool program (new Desktop icon).



STEP 3b – Connections if programming a QUATRA 4000 Coverage Unit (CU)

Connect a micro USB cable between the Disti Tool PC and the CU, connect the NU to power, and connect both CU Ethernet ports to both CU1 Ethernet ports on the NU (for power).



Cel-Fi Disti Tool

Please do not use the Change Operator feature of the Disti Tool

CHANGE OPERATOR (UPDATE SKU + SOFTWARE)

Nextivity Distributor Wave (Version=2.0.0.0)

Network Unit
SerialNo=953943000005 (UniqueID=FB1FFE2B208216AF)

Base Sku: 592NQ44NEXT1NCUS1C51 Current Sku: 592NQ44NEXT1NCUS1C51 New Sku: 592NQ44NEXT1NCUS1C51

Nextivity Testing	592PQ44NEXT1NTUS1C51	Stationary	Unlocked
Nextivity Testing	592PQ44NEXT1NTUS1C5Z	Stationary	Unlocked
Nextivity Testing	592NQ44NEXT1NTUS1C5Y	Stationary	Unlocked
NCUS	592NQ44NEXT1NCUS1C51	Stationary	Unlocked

SKU CHANGE FEATURE

Type	Current	Latest
Main Image	000-000	700N036-054-001-03
Configuration	800N006-ATUS-01-04	800N006-ATUS-01-04
PortConfig2	800N006-TMUS-01-03	800N006-TMUS-01-03
PortConfig3	800N006-VZUS-01-04	800N006-VZUS-01-04
PortConfig4	800N006-SPUS-01-01	800N006-SPUS-01-01

Download completed.

Software Update ~~Change Operator~~

Cel-Fi Disti Tool

To update to or reload the latest software, power up the Network Unit or Coverage Unit. Wait until the status messages says “Download Complete” and select then select **Software Update**.

SOFTWARE UPDATE

Nextivity Distributor Wave (Version=2.0.0.0)

Network Unit
SerialNo=953943000005 (UniqueID=FB1FFE2B208216AF)

Base Sku: 592NQ44NEXT1NCUS1C51 Current Sku: 592NQ44NEXT1NCUS1C51 New Sku: 592NQ44NEXT1NCUS1C51

Nextivity Testing	592PQ44NEXT1NTUS1C51	Stationary	Unlocked	Type	Current	Latest
Nextivity Testing	592PQ44NEXT1NTUS1C5Z	Stationary	Unlocked	Main Image	000-000	700N036-054-001-03
Nextivity Testing	592NQ44NEXT1NTUS1C5Y	Stationary	Unlocked	Configuration	800N006-ATUS-01-04	800N006-ATUS-01-04
NCUS	592NQ44NEXT1NCUS1C51	Stationary	Unlocked	PortConfig2	800N006-TMUS-01-03	800N006-TMUS-01-03
				PortConfig3	800N006-VZUS-01-04	800N006-VZUS-01-04
				PortConfig4	800N006-SPUS-01-01	800N006-SPUS-01-01

POWER UP YOUR USB CONNECTED UNIT AND SELECT SOFTWARE UPDATE

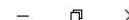
Download completed.

Software Update ~~Change Operator~~

Cel-Fi Disti Tool

Monitor progress messages until **Successfully Completed** is displayed.

Nextivity Distributor Wave (Version=2.0.0.0)



Network Unit

SerialNo=953943000005 (UniqueID=FB1FFE2B208216AF)

Base Sku: 592NQ44NEXT1NCUS1C51

Current Sku: 592NQ44NEXT1NCUS1C51

New Sku:

Nextivity Testing	592PQ44NEXT1NTUS1C51	Stationary	Unlocked
Nextivity Testing	592PQ44NEXT1NTUS1C5Z	Stationary	Unlocked
Nextivity Testing	592NQ44NEXT1NTUS1C5Y	Stationary	Unlocked
NCUS	592NQ44NEXT1NCUS1C51	Stationary	Unlocked

Type	Current	Latest
Main Image	000-000	700N036-054-001-03
Configuration	800N006-ATUS-01-04	800N006-ATUS-01-04
PortConfig2	800N006-TMUS-01-03	800N006-TMUS-01-03
PortConfig3	800N006-VZUS-01-04	800N006-VZUS-01-04
PortConfig4	800N006-SPUS-01-01	800N006-SPUS-01-01

PROGRESS MESSAGES ARE DISPLAYED HERE.

“Successfully Completed” MEANS YOU ARE DONE.



Successfully Completed

Software Update

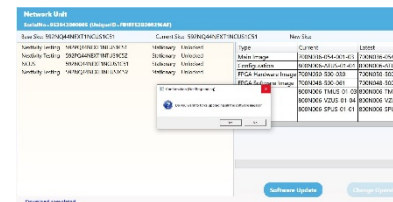
Change Operator

Cel-Fi Disti Tool - Troubleshooting

Updates typically take 3-1/2 to 4-1/2 minutes for an NU and 1-1/2 minutes for a CU.

Please note that per these instructions, always have the USB cable connected between the PC and NU or CU before powering up the unit.

- If you get an error message, we suggest closing the program and restarting it. Then power up the unit to be programmed to retry.
- If the program seems stuck (most likely a USB or Server communications error), first try power cycling the NU or CU.
- If all else fails, Uninstall and reinstall the program.
- OTHER: Make sure you are using a Windows 10 PC with an internet connection (WiFi OK).

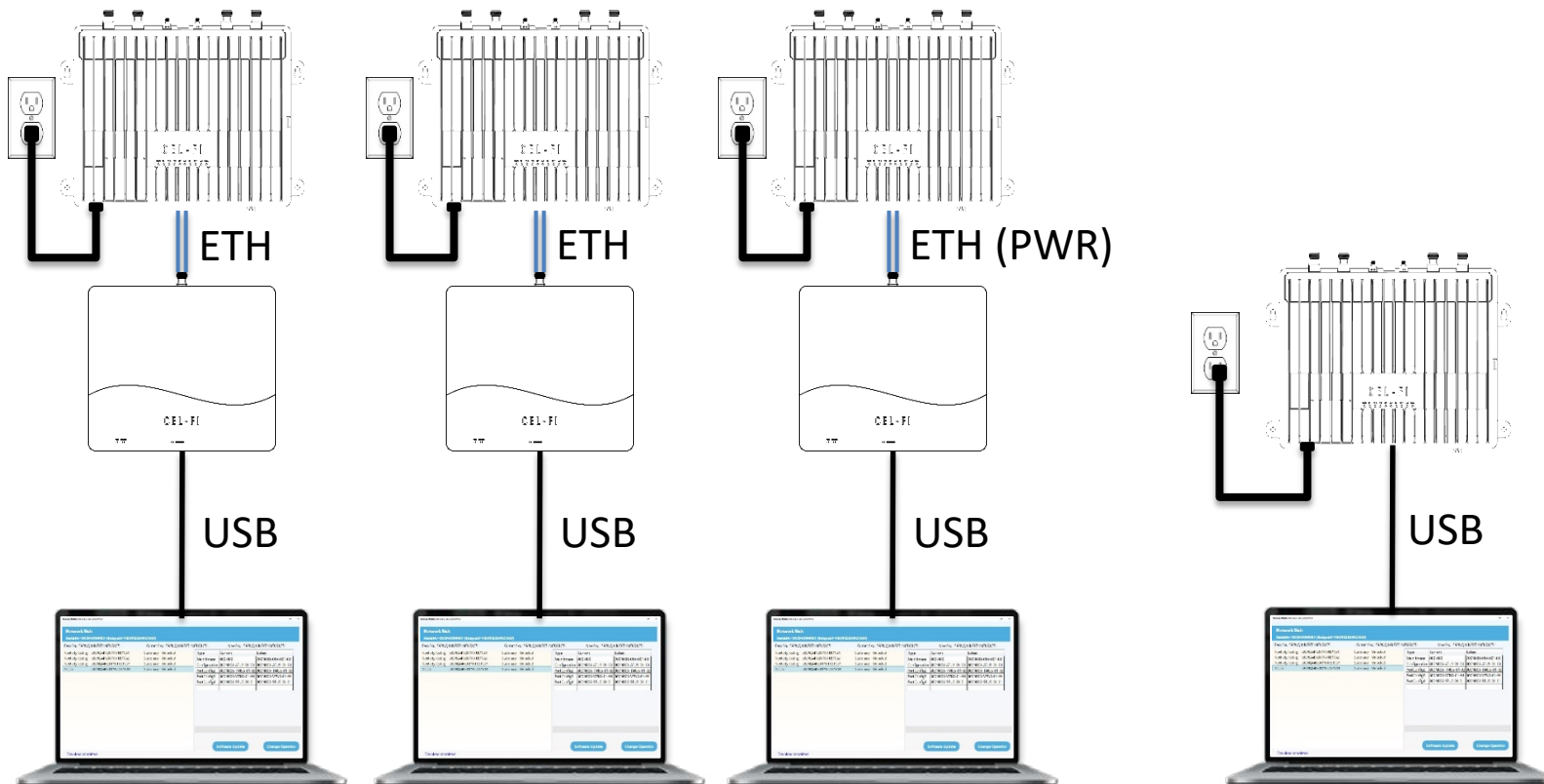


Please be patient as this program tool is a part of a larger programming/remote-server network framework where many things must happen properly.

Thank you.

Cel-Fi Disti Tool

Assembly Line Version. NUs are used as power supplies when programming CUs.



CU PROGRAMMING STATIONS (USING NU FOR PWR)

NU PROGRAMMING STATION